

METAPLAST

The UK's fastest growing container manufacturer

5 Litre Lubricant Jerrycan with dispensing hose

Product Specifications

Product Code: MP-K-5FL

Lubricant Jerrycan

Container

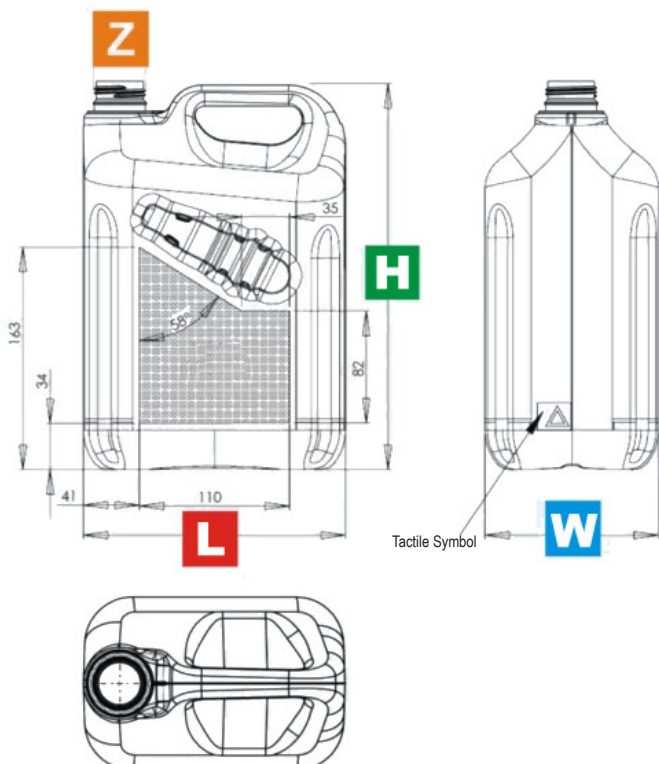
Weight:	140g (bottle & funnel) / 4.4g (cap)
Volume:	5 litres
Closure:	Ø38C or SK38/23 Bericap
Closing torque:	3-5Nm
Integral spout:	Funnel housed in can recess
Colours:	Black or silver bottle with red funnel & cap (other colours available to order)

Palletisation

Jerrycons per pallet:	328
Full vehicle load:	33 pallets / 10,824 Jerrycons



Metaplast Lubricant Jerrycons are supplied in black or silver with red funnel & cap as standard (other colours are available to order).



Manufacturers and Distributors of high quality plastic containers to the commercial sector

While every care has been taken to ensure that product specifications are accurate, they are given for guidance only. For uses where specification is critical, customers are advised to check with Metaplast prior to purchase. We reserve the right to amend product specifications without prior notice.

Metaplast Ltd

Unit A1, Ground Floor, Meridian House
Meridian Business Park, Norwich NR7 0TA

Tel: +44 (0)1508 495342

sales@metaplast.co.uk

www.metaplast.co.uk