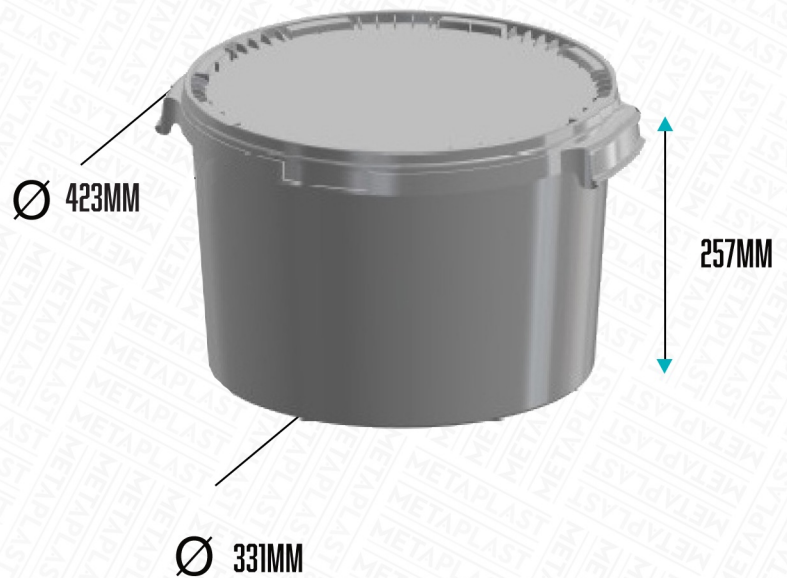


METAPLAST

22 LITRE ROUND CONTAINER

PRODUCT CODE	LC2200
DIMENSIONS	331 X 423 X 257MM
BRIMFUL VOLUME	23.50 LITRES
ISO VOLUME	22 LITRES
TAMPER EVIDENT	NO
MATERIAL	POLYPROPYLENE
WEIGHT	LID 223GRAMS / TUB 597GRAMS
PERFORMANCE	
STORAGE TEMP	0 °C - 40°C
SHELF LIFE	MIN 12 MONTHS
STATIC LOAD	
ON BOTTOM	MAX 155KG AT 20°C
SUITABLE FOR	
TINTING	NO
SUITABLE FOR	
HOT FILLING	YES (ABOVE 70°C)
COLOUR	WHITE (OTHERS ON REQUEST)
DECORATION	(LID)IML: NO (TUB)IML: YES
PALLETISATION	
LID PALLET QTY	72
BUCKET PALLET QTY EMPTY	240
BUCKET PALLET QTY FILLED	40
UNITS PER LAYER	8



COMPATIBILITY	SOME CHEMICALS, AND PROCESS PARAMETERS, CAN AFFECT THE INTEGRITY OF THIS CONTAINER. THE BUYER MUST UNDERTAKE TESTING AND APPROVAL FOR THE CONTAINER'S SUITABILITY FOR THE PRODUCT AND APPLICATION.
REGULATORY	RAW MATERIALS USED ARE REACH COMPLIANT, APPROVED FOR FOOD CONTACT AND MEET FDA REGULATIONS.

METAPLAST

WHILE EVERY CARE HAS BEEN TAKEN TO ENSURE THAT PRODUCT SPECIFICATIONS ARE ACCURATE THEY ARE GIVEN FOR GUIDANCE ONLY. FOR USES WHERE SPECIFICATION IS CRITICAL, CUSTOMERS ARE ADVISED TO CHECK WITH METAPLAST PRIOR TO PURCHASE. WE RESERVE THE RIGHT TO AMEND PRODUCT SPECIFICATIONS WITHOUT PRIOR NOTICE.